

# NEW FLEX-FOOT ASSURE



## PRODUCT FEATURES



## IMPACT LEVEL



## KEY BENEFITS of Assure:

**Lightweight foot with full length toe lever**

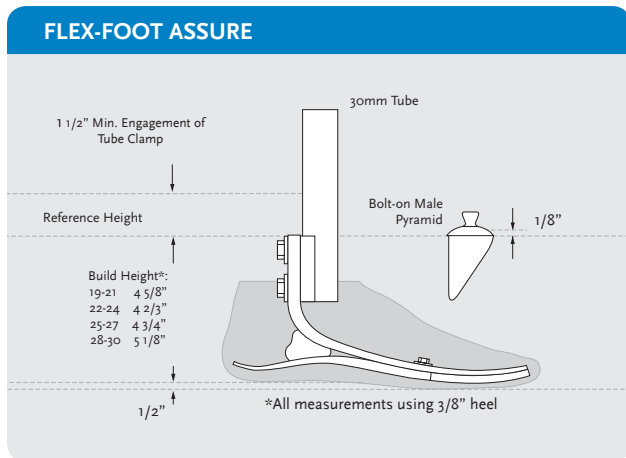
**Low build height** accommodates long residual limbs

**Affordable Option** for low impact amputees

**Easy to finish** replaceable foot cover w/ an attachment ring; Kit includes foot cover and sock

**Choice of male pyramid or 30mm carbon tube**

## FLEX-FOOT ASSURE



## CATEGORY SELECTION GUIDE FOR ASSURE

cm/lbs	19	20	21	22	23	24	25	26	27	28	29	30
99-135	1	1	1	1	1	1	1	1	1			
136-176	2	2	2	2	2	2	2	2	2	2		
177-213					3	3	3	3	3	3	3	
214-251						4	4	4	4	4	4	4
252-300								5	5	5	5	5

## RATINGS

- Low impact levels (community ambulator engaged in limited but routine activities with low impact such as bowling, gardening, shopping, etc.)
- Weight Rating: 99-300 lbs

## OPTIONS

- Sizes 19-30, categories 1 through 5
  - Male pyramid or 30mm tube
  - Foot comes with standard foot cover
  - FAXoYXXZC Flex-Foot® Assure (30 mm tube)
  - FAPoYXXZC Flex-Foot® Assure w/pyramid
- Y: categories 1-5  
 XX: sizes 19-30  
 Z: foot cover L(left) or R(right)  
 C: foot cover color: L(beige - default cover) or B(brown) - only specify when ordering Brown

## 36-MONTH WARRANTY

LCODE: L5981

T (800) 767.7776 x 3 • F (800) 869.7776 • www.spsco.com

© 2008 SPS. SPS and Experience Our Commitment are trademarks of SPS. All other trademarks are properties of their respective owners. All rights reserved.

**SPS**  
Experience Our Commitment

OAAS-1008ro