

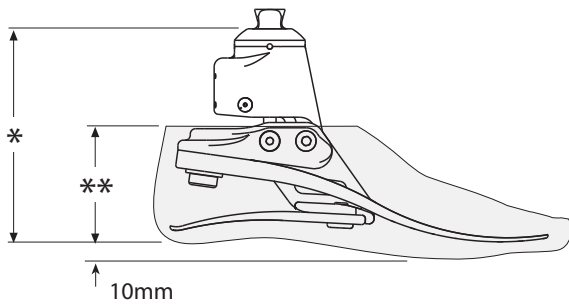
**NEW
30-33%
LOWER
PRICE**

Echelon



The Echelon, from Endolite, incorporates the action of the Spirit foot with hydraulically controlled plantar flexion and dorsi flexion. The Echelon is appropriate for low to high impact users for everyday walking and occasional recreational sports.

- Hydraulically controlled plantar and dorsi flexion
- Controlled plantar flexion increases stability and comfort
- Self leveling feature accommodates varied terrain
- Hydraulic ankle allows for greater toe clearance during swing phase
- Foot Shell, glide sock & top plate included; Echelon ships fully assembled



* sizes	** sizes
22-24 = 115mm	22-24 = 70mm
25-26 = 120mm	25-30 = 75mm
27-30 = 125mm	

Production Specifications

Weight Limit: 275 lbs
Heel Height: 3/8 in.
Sizes: 22 - 30 cm
Warranty: 36 Months
Footshell Colors: Caucasian and Brown (add a "D" to end of the part number sizing when ordering)
Activity Level: K3
 Adjustable Hydraulic plantar and dorsiflexion control, self aligning feature)
LCode Recommendations*: L5981 and L5968

P/N Example:
 EC28R3
 Echelon Foot Size 28 Right
 #3 Spring Kit

Echelon spring selection chart

User Weight Range	Low to Medium Variable Cadence	Medium to Rapid Variable Cadence
100-115	1	1
116-130	1	2
131-150	2	3
151-170	3	4
171-195	4	5
196-220	5	6
221-255	Size 25-30 = 6	Size 25-30 = 7
256-275	Size 25-30 = 7	Size 25-30 = 8

***All coding opinions expressed herein are based upon information provided by the manufacturer. Regardless of the source of the information provided, the final responsibility for correct coding within all established laws, rules, standards and practices is the sole responsibility of the practitioner submitting the claim.*

KX06



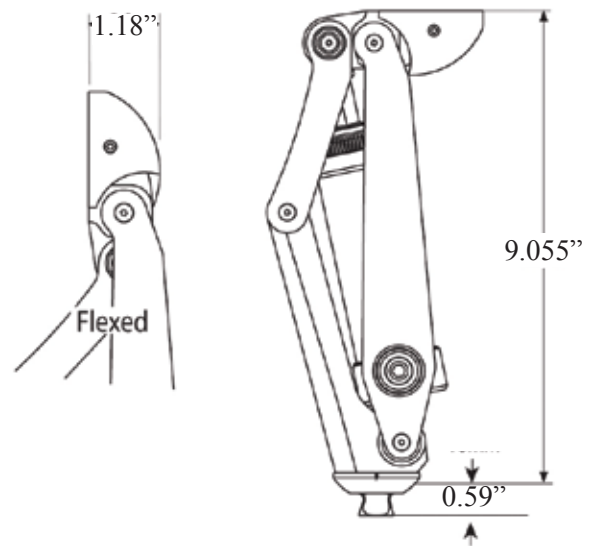
The KX06 polycentric knee, from Endolite, is designed for the active K3-K4 amputee who requires the stability of a geometric locking mechanism combined with reliability of hydraulic swing and stance control.

Features & Benefits:

- Polycentric swing and stance knee
- 320 lb weight limit
- 160° of knee flexion
- Multiple proximal adapter choices allows upgrade while conserving existing elements
- Field serviceable through Endolite's convenient Hydraulic Exchange Program
- Distal Pyramid
- 3 Year Warranty

Product Specifications:

Total Weight: With Cylinder: 2 lbs. 11oz.
Max. Patient weight: K3 level - 320 lbs.
 K4 level - 300 lbs.
Activity level: K3 - K4
Part Numbers: KX06 =Knee with swing & stance unit
 KX06Swing =Knee with swing only unit
LCode Recommendations*: L5611, L5930, L5850 and L5810



Proximal Options:



Tel: 800.767.7776 x 3 • Fax: 800.869.7776
www.spsco.com • estore.spsco.com