

# Elite Blade

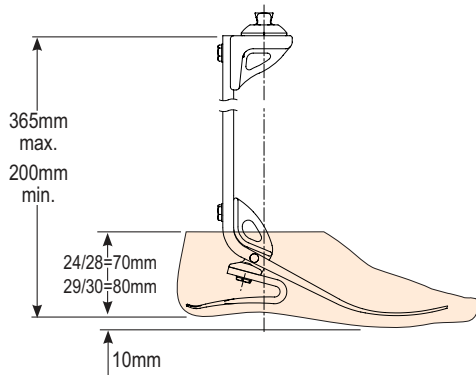
The Elite Blade, from Endolite, is appropriate for K3-K4 high impact users.

- Maximum energy return
- Low Profile option available
- Sliding & rotating proximal male pyramid for ease of alignment
- Simple lightweight design is easy to cosmetically finish
- Controlled plantar flexion for stability and comfort
- Promotes dynamic tibial progression

Low Profile P/N Example:  
EBLP24L1  
Elite Blade LP Size 24 Left  
#1 Spring Kit, light foot shell



Elite Blade P/N Example:  
EB26L1  
Elite Blade Size 26 Left  
#1 Spring Kit, light foot shell



## Product Specifications

Weight Limit: 365 lbs  
Heel Height: 3/8 in.  
Sizes: 24 - 30 cm  
Warranty: 36 Months  
Activity Level: K3 - K4  
LCode<sup>†</sup>: L5987

## elite blade transtibial spring selection chart\*

	100-115	116-130	131-150	151-170	171-195	196-220	221-255	256-285	286-325	326-365
Walking & Occasional Sports	1	1	2	3	4	5	6	7	8	9
Frequent or Daily Sports (jogging)	1	2	3	4	5	6	7	8	9	-
Daily High Impact Sports (running)	2	3	4	5	6	7	8	9	Special	Order